



# Zhafir **Mercury** Series Specifications



# Specification ME550

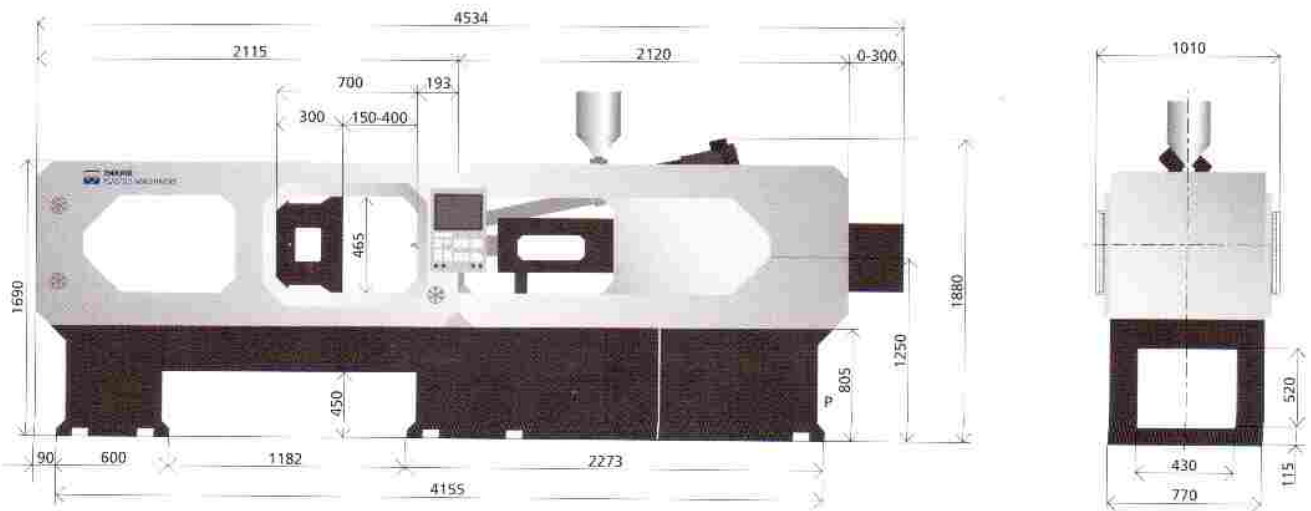
CLAMPING UNIT		ME550								
Clamping force	kN	550								
Toggle stroke	mm	300								
Min. mold height	mm	150								
Max. mold height	mm	400								
Ejector stroke	mm	100								
Ejector force	kN	25								
Max. mold platen dimensions	mm	490 x 500								

INJECTION UNIT		22			26			30		
		A	B	C	A	B	C	A	B	C
<b>Injection unit</b>										
Piston diameter	mm	22			26			30		
Shotsize	cm <sup>3</sup>	50.2			82.8			127.2		
Injection weight (PS)	g	45.7			75.4			115.8		
Injection speed	mm/s	500			500			500		
Injection rate (PS)	g/s	190			265			353		
Injection pressure	bar	2800			2800			2500		
Holding pressure	bar	2200			2200			2000		
<b>Plasticizing</b>										
Screw diameter	mm	16	22	26	22	26	30	26	30	35
Screw speed	rpm	650	650	650	650	650	650	650	637	546
Plasticizing capacity (PS)	g/s	5.4	9.7	14.2	9.7	14.2	22	14.2	22	30
Screw L/D ratio	L/D	20			20			20		
<b>Nozzle system</b>										
Nozzle touch force	kN	25			25			25		
Nozzle movement distance	mm	300			300			300		
<b>OTHERS</b>										
Connection power	kW/A	45 kW / 80 A								
Heating power	kW	10								
Hopper capacity	l	25								
Machine dimensions (l x w x h)	m	4.53 x 1.01 x 1.88								
Machine weight	t	4.6								

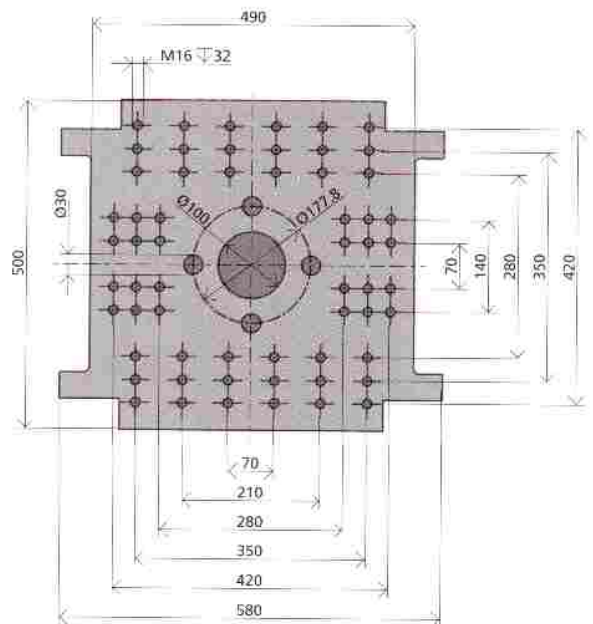
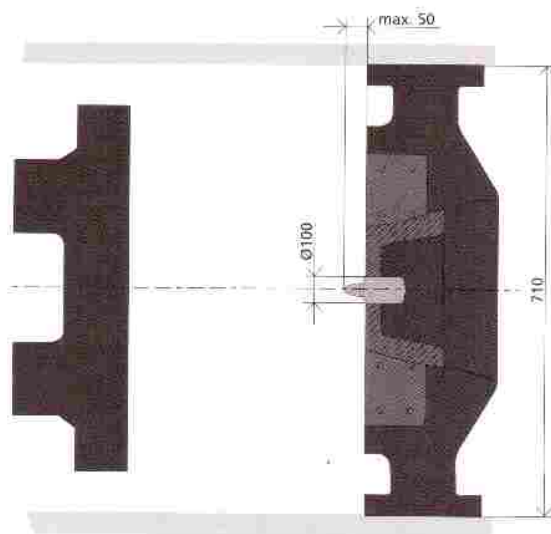
We reserve the right to make changes as a result of further technical advantages.

Machine dimensions ME550

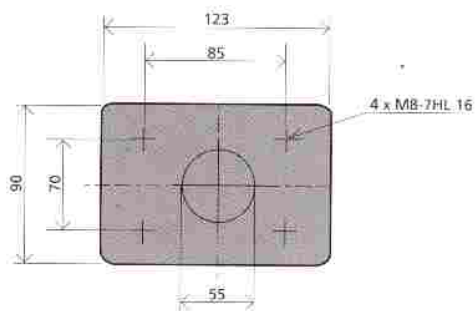


\* P = Power supply

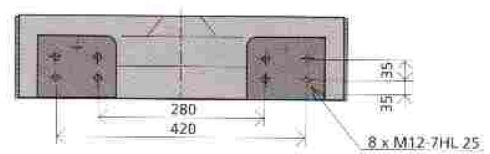
Platen dimensions ME550



Interface Hopper



Handling-Interface according to Euromap 18



# Specification **ME 1000**

CLAMPING UNIT		ME1000
Clamping force	kN	1000
Toggle stroke	mm	380
Min. mold height	mm	150
Max. mold height	mm	450
Ejector stroke	mm	130
Ejector force	kN	35
Max. mold platen dimensions	mm	640 x 650

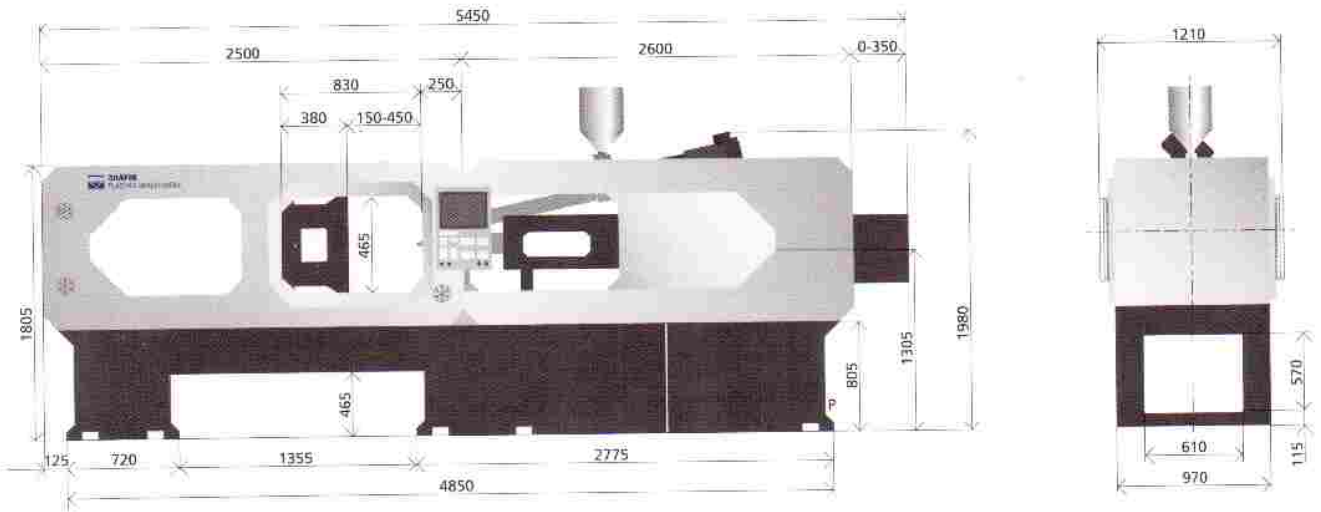
INJECTION UNIT		30			35			40		
		A	B	C	A	B	C	A	B	C
<b>Injection unit</b>										
Piston diameter	mm	30			35			40		
Shotsize	cm <sup>3</sup>	127.2			202.0			301.6		
Injection weight (PS)	g	115.8			183.9			274.6		
Injection speed	mm/s	500			400			400		
Injection rate (PS)	g/s	353			385			503		
Injection pressure	bar	2500			2500			2500		
Holding pressure	bar	2000			2000			2000		
<b>Plasticizing</b>										
Screw diameter	mm	26	30	35	30	35	40	35	40	45
Screw speed	rpm	650	637	546	637	546	478	546	477	425
Plasticizing capacity (PS)	g/s	14.2	22	30	22	30	36	30	36	45
Screw L/D ratio	L/D	20			20			20		
<b>Nozzle system</b>										
Nozzle touch force	kN	50			50			50		
Nozzle movement distance	mm	350			350			350		

OTHERS		
Connection power	kW/A	63 kW / 112 A
Heating power	kW	17.2
Hopper capacity	l	25
Machine dimensions (l x w x h)	m	5.45 x 1.21 x 1.98
Machine weight	t	8.4

We reserve the right to make changes as a result of further technical advantages.

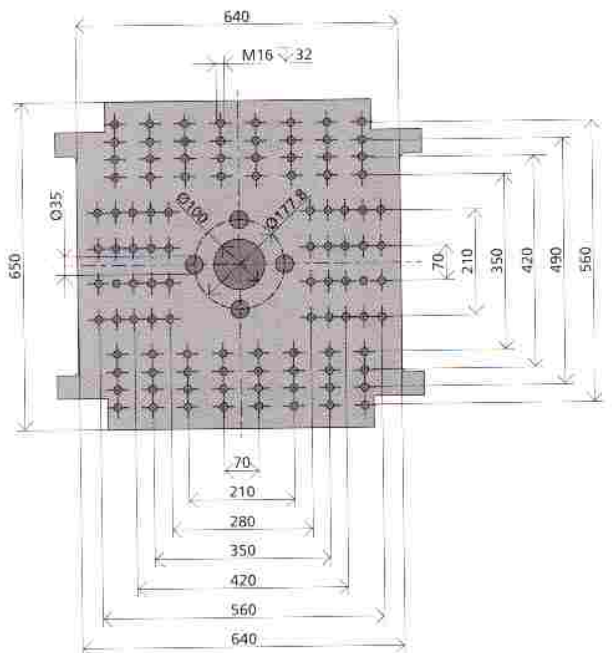
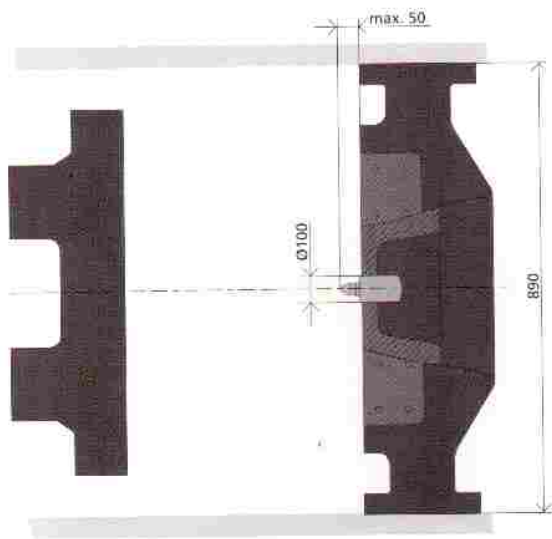


**Machine dimensions ME1000**

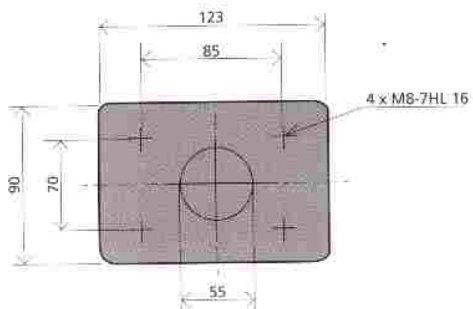


\* P = Power supply

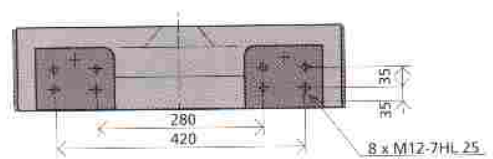
**Platen dimensions ME1000**



**Interface Hopper**



**Handling-Interface according to Euromap 18**



# Specification **ME 1500**

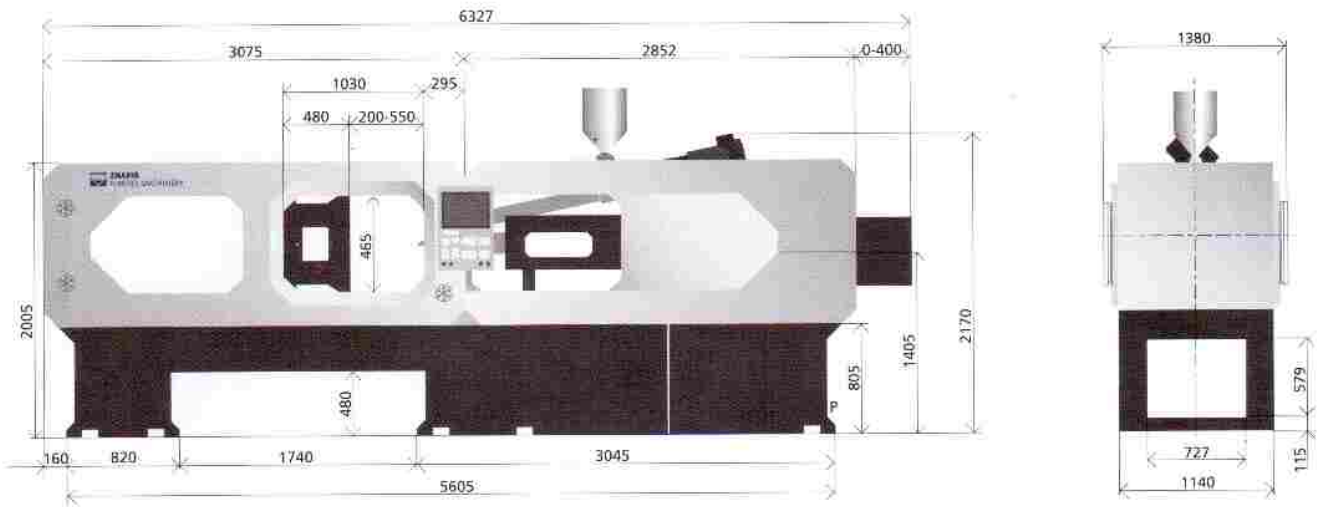
CLAMPING UNIT		ME1500
Clamping force	kN	1500
Toggle stroke	mm	480
Min. mold height	mm	200
Max. mold height	mm	550
Ejector stroke	mm	150
Ejector force	kN	50
Max. mold platen dimensions	mm	760 x 750

INJECTION UNIT	40			45			50			
	A	B	C	A	B	C	A	B	C	
<b>Injection unit</b>										
Piston diameter	mm	40			45			50		
Shotsize	cm <sup>3</sup>	301.6			429.4			589.0		
Injection weight (PS)	g	274.6			391.0			536.3		
Injection speed	mm/s	400			400			350		
Injection rate (PS)	g/s	503			636			687		
Injection pressure	bar	2500			2500			2500		
Holding pressure	bar	2000			2000			2000		
<b>Plasticizing</b>										
Screw diameter	mm	35	40	45	40	45	50	45	50	55
Screw speed	rpm	546	477	425	477	425	382	425	382	347
Plasticizing capacity (PS)	g/s	30	36	45	36	45	55	45	55	65
Screw L/D ratio	L/D	20			20			20		
<b>Nozzle system</b>										
Nozzle touch force	kN	50			50			50		
Nozzle movement distance	mm	400			400			400		

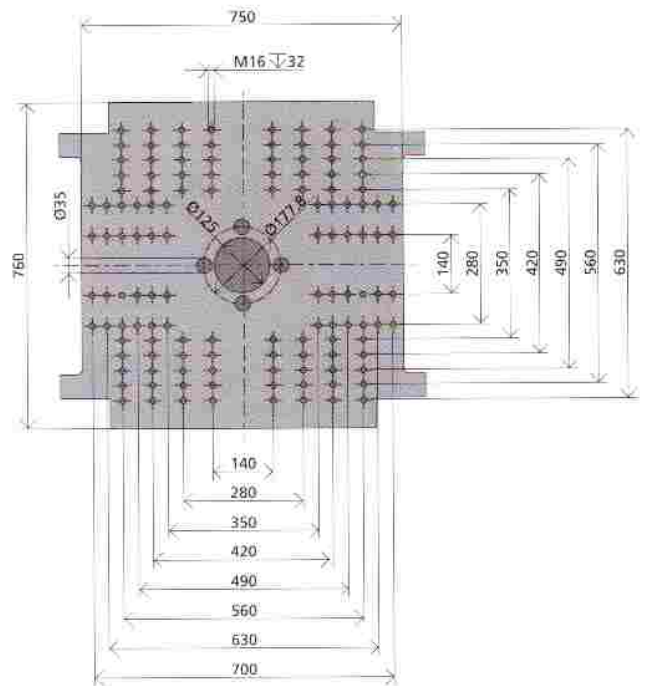
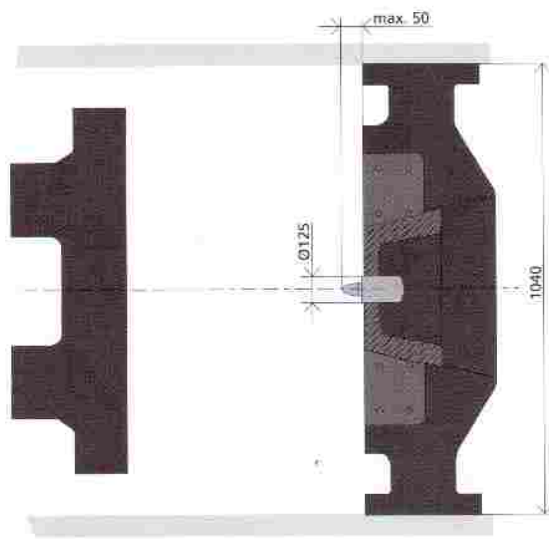
OTHERS		
Connection power	kW/A	71 kW / 128 A
Heating power	kW	24.1
Hopper capacity	l	25
Machine dimensions (l x w x h)	m	6.33 x 1.38 x 2.17
Machine weight	t	12.2

We reserve the right to make changes as a result of further technical advantages.

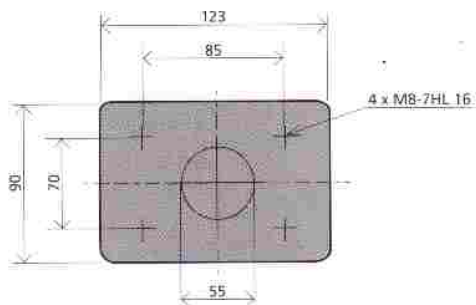
Machine dimensions ME1500



Platen dimensions ME1500



Interface Hopper



Handling-Interface according to Euromap 18

